

FAG

**3307-BD-XL-TVH-L285-C3**

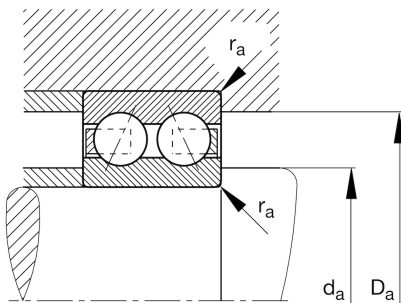
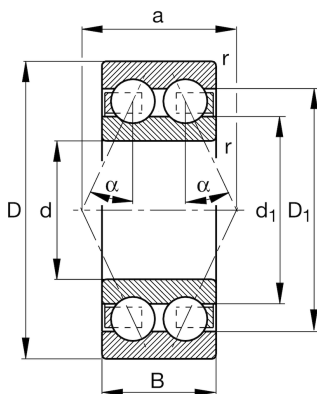
Angular contact ball bearing

Schaeffler ID:  
0702603200030

Angular contact ball bearing 33..-BD-XL-TVH, double row, X-life, plastic cage

X-life

## Technical information

**Main Dimensions & Performance Data**

d	35 mm	Bore diameter
D	80 mm	Outside diameter
B	34.9 mm	Width
$C_r$	55,000 N	Basic dynamic load rating, radial
$C_{0r}$	36,500 N	Basic static load rating, radial
$C_{ur}$	2,550 N	Fatigue load limit, radial
$n_G$	9,000 1/min	Limiting speed
$n_{gr}$	8,100 1/min	Reference speed
	0.7 kg	Weight

**Mounting dimensions**

$d_{a \min}$	44 mm	Minimum diameter shaft shoulder
$D_{a \max}$	71 mm	Maximum diameter of housing shoulder
$r_{a \max}$	1.5 mm	Maximum fillet radius

**Dimensions**

$r_{\min}$	1.5 mm	Minimum chamfer dimension
$D_1$	68.9 mm	Shoulder diameter outer ring
$d_1$	51.8 mm	Shoulder diameter inner ring
a	48 mm	Distance between the apexes of the pressure cones
$\alpha$	30 °	Contact angle

**Temperature range**

$T_{\min}$	-20 °C	Operating temperature min.
$T_{\max}$	120 °C	Operating temperature max.